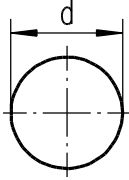
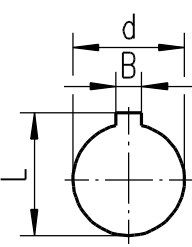
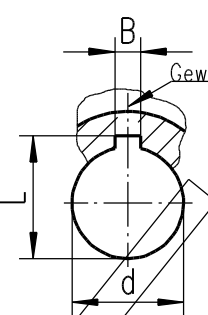
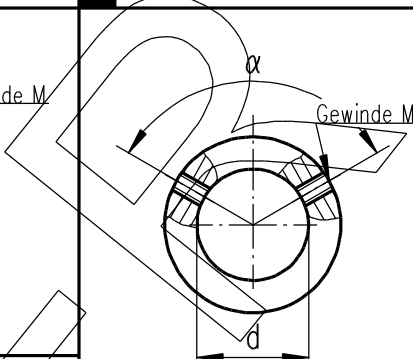
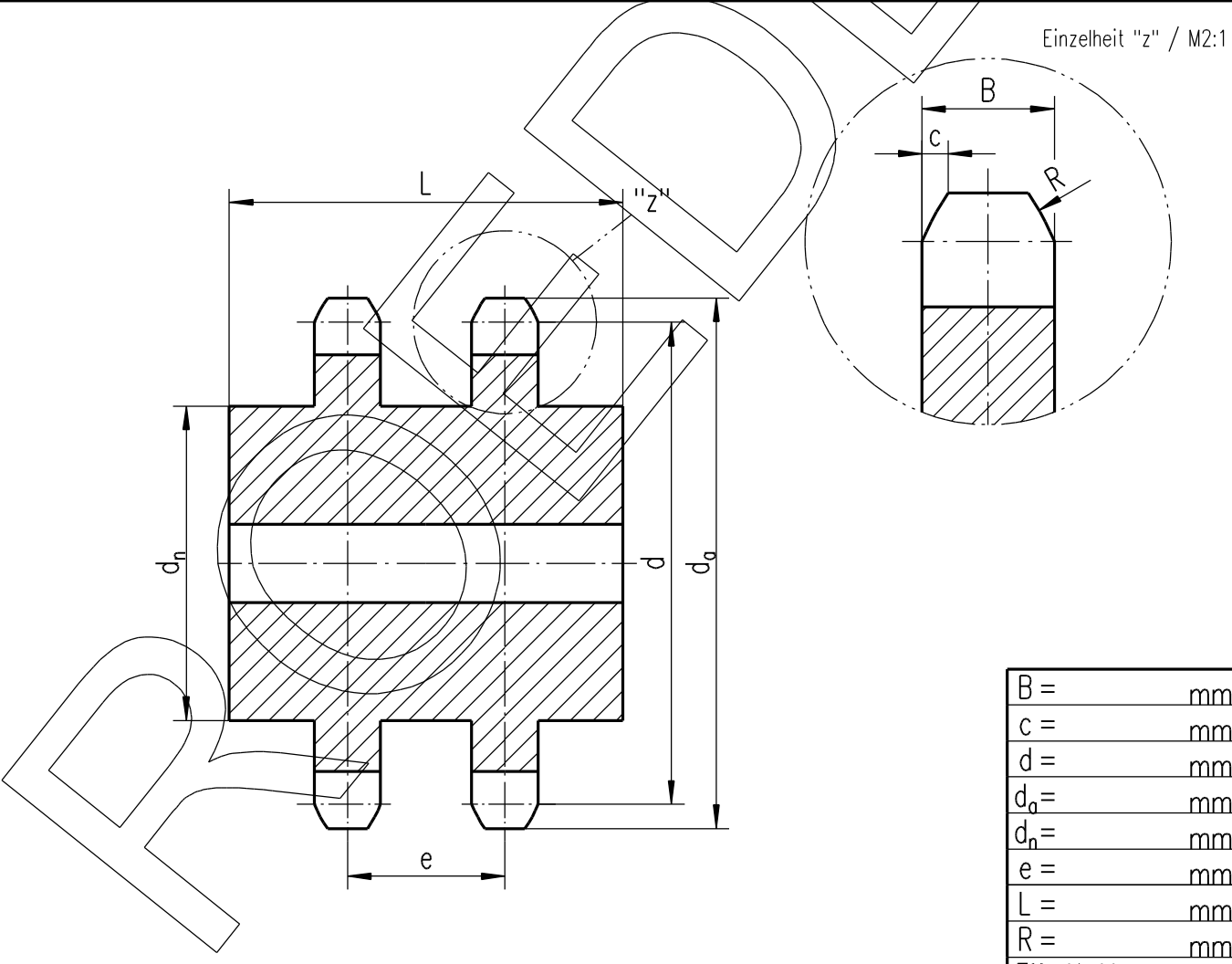


AUSFÜHRUNG DER BOHRUNG BITTE ANKREUZEN UND MAßE EINTRAGEN:


|   |   |  |   |     |    |     |    |  |     |    |     |    |     |    |     |  |   |     |    |     |    |     |  |
|---|---|--|---|-----|----|-----|----|--|-----|----|-----|----|-----|----|-----|--|---|-----|----|-----|----|-----|--|
| Vorgebohrt:   | Passfedernut:   | Passfedernut m.Klemmschraube   | Nur Klemmschraube   |     |    |     |    |  |     |    |     |    |     |    |     |  |   |     |    |     |    |     |  |
|  |    |  |  |     |    |     |    |  |     |    |     |    |     |    |     |  |   |     |    |     |    |     |  |
| d =    mm   | <table border="1" style="margin-left:auto; margin-right:auto;"> <tr><td>B =</td><td>mm</td></tr> <tr><td>d =</td><td>mm</td></tr> <tr><td>L =</td><td>mm</td></tr> </table> | B =  | mm  | d = | mm | L = | mm | <table border="1" style="margin-left:auto; margin-right:auto;"> <tr><td>B =</td><td>mm</td></tr> <tr><td>d =</td><td>mm</td></tr> <tr><td>L =</td><td>mm</td></tr> <tr><td>M =</td><td></td></tr> </table> | B = | mm | d = | mm | L = | mm | M = |  | <table border="1" style="margin-left:auto; margin-right:auto;"> <tr><td>α =</td><td>mm</td></tr> <tr><td>d =</td><td>mm</td></tr> <tr><td>M =</td><td></td></tr> </table> | α = | mm | d = | mm | M = |  |
| B =   | mm  |  |   |     |    |     |    |  |     |    |     |    |     |    |     |  |   |     |    |     |    |     |  |
| d =   | mm  |  |   |     |    |     |    |  |     |    |     |    |     |    |     |  |   |     |    |     |    |     |  |
| L =   | mm  |  |   |     |    |     |    |  |     |    |     |    |     |    |     |  |   |     |    |     |    |     |  |
| B =   | mm  |  |   |     |    |     |    |  |     |    |     |    |     |    |     |  |   |     |    |     |    |     |  |
| d =   | mm  |  |   |     |    |     |    |  |     |    |     |    |     |    |     |  |   |     |    |     |    |     |  |
| L =   | mm  |  |   |     |    |     |    |  |     |    |     |    |     |    |     |  |   |     |    |     |    |     |  |
| M =   |   |  |   |     |    |     |    |  |     |    |     |    |     |    |     |  |   |     |    |     |    |     |  |
| α =   | mm  |  |   |     |    |     |    |  |     |    |     |    |     |    |     |  |   |     |    |     |    |     |  |
| d =   | mm  |  |   |     |    |     |    |  |     |    |     |    |     |    |     |  |   |     |    |     |    |     |  |
| M =   |   |  |   |     |    |     |    |  |     |    |     |    |     |    |     |  |   |     |    |     |    |     |  |

Einzelheit "z" / M2:1



|                  |    |
|------------------|----|
| B =              | mm |
| c =              | mm |
| d =              | mm |
| d <sub>a</sub> = | mm |
| d <sub>n</sub> = | mm |
| e =              | mm |
| L =              | mm |
| R =              | mm |

Für Kette :

|  |          |   |      |   |                 |
|--|----------|---|------|---|-----------------|
| <br><b>ROEDER KETTENTECHNIK</b> |          | Allgemeintoleranzen<br>DIN ISO 2768 T1 m<br>DIN ISO 2768 T2 K |      | Maßstab 1:1 (Gewicht)                     |                 |
|  |          |   |      | Datei: KRS_DUP_NABE_BS.dcd                |                 |
|  |          | Datum Name<br>Bearb. 02.09.04 Heinrichs                       |      | Duplex-Kettenrad mit<br>beidseitiger Nabe |                 |
|  |          | Gepr.<br>Norm   |      |   |                 |
|  |          |   |      | Zeich.-nr.: _____                         |                 |
|  |          |   |      | Blatt                                     |                 |
|  |          |   |      | Blätter                                   |                 |
| Zust.  | Änderung | Datum   | Name | Urspr.                                    | Ers. für: _____ |
|  |          |   |      | Ers. durch: _____                         |                 |

I:\Zeichnungen\_Documente\_Kunde\Vorlagen\11 Kettenräder\KRS\_DUP\_NABE\_BS.dcd