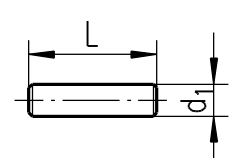
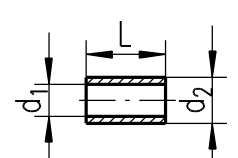
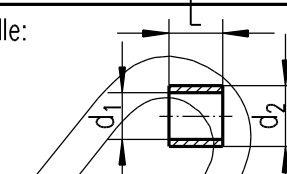
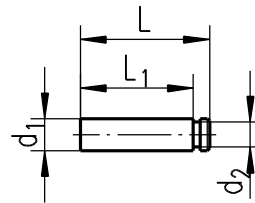
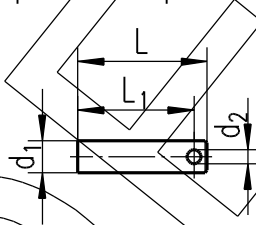
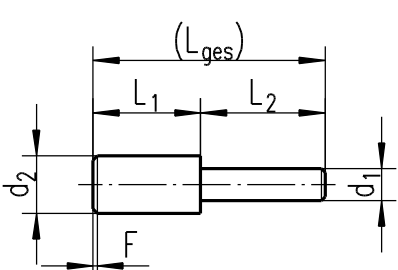
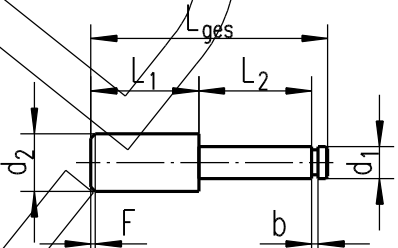
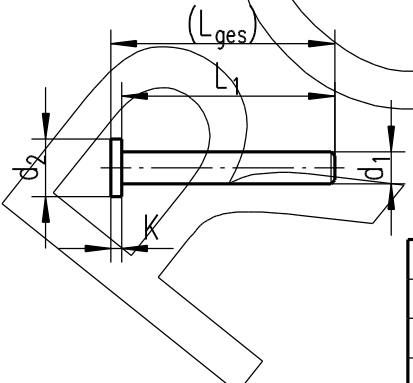
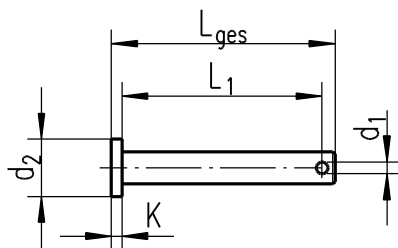



<p>Nietbolzen:</p>  <table border="1" style="width:100%; margin-top: 10px;"> <tr><td>d<sub>1</sub> =</td><td>mm</td></tr> <tr><td>L =</td><td>mm</td></tr> </table>	d <sub>1</sub> =	mm	L =	mm	<p>Hülse:</p>  <table border="1" style="width:100%; margin-top: 10px;"> <tr><td>d<sub>1</sub> =</td><td>mm</td></tr> <tr><td>d<sub>2</sub> =</td><td>mm</td></tr> <tr><td>L =</td><td>mm</td></tr> </table>	d <sub>1</sub> =	mm	d <sub>2</sub> =	mm	L =	mm	<p>Rolle:</p>  <table border="1" style="width:100%; margin-top: 10px;"> <tr><td>d<sub>1</sub> =</td><td>mm</td></tr> <tr><td>d<sub>2</sub> =</td><td>mm</td></tr> <tr><td>L =</td><td>mm</td></tr> </table>	d <sub>1</sub> =	mm	d <sub>2</sub> =	mm	L =	mm
d <sub>1</sub> =	mm																	
L =	mm																	
d <sub>1</sub> =	mm																	
d <sub>2</sub> =	mm																	
L =	mm																	
d <sub>1</sub> =	mm																	
d <sub>2</sub> =	mm																	
L =	mm																	

<p>Verschlußbolzen m. Federverschluß</p>  <table border="1" style="width:100%; margin-top: 10px;"> <tr><td>d<sub>1</sub> =</td><td>mm</td></tr> <tr><td>d<sub>2</sub> =</td><td>mm</td></tr> <tr><td>L =</td><td>mm</td></tr> <tr><td>L<sub>1</sub> =</td><td>mm</td></tr> </table>	d <sub>1</sub> =	mm	d <sub>2</sub> =	mm	L =	mm	L <sub>1</sub> =	mm	<p>Verschlußbolzen m. Splintverschluß</p>  <table border="1" style="width:100%; margin-top: 10px;"> <tr><td>d<sub>1</sub> =</td><td>mm</td></tr> <tr><td>d<sub>2</sub> =</td><td>mm</td></tr> <tr><td>L =</td><td>mm</td></tr> <tr><td>L<sub>1</sub> =</td><td>mm</td></tr> </table>	d <sub>1</sub> =	mm	d <sub>2</sub> =	mm	L =	mm	L <sub>1</sub> =	mm
d <sub>1</sub> =	mm																
d <sub>2</sub> =	mm																
L =	mm																
L <sub>1</sub> =	mm																
d <sub>1</sub> =	mm																
d <sub>2</sub> =	mm																
L =	mm																
L <sub>1</sub> =	mm																

<p>Mitnehmerbolzen:</p>  <table border="1" style="width:100%; margin-top: 10px;"> <tr><td>d<sub>1</sub> =</td><td>mm</td></tr> <tr><td>d<sub>2</sub> =</td><td>mm</td></tr> <tr><td>F =</td><td>mm</td></tr> <tr><td>L<sub>1</sub> =</td><td>mm</td></tr> <tr><td>L<sub>2</sub> =</td><td>mm</td></tr> <tr><td>L<sub>ges</sub> =</td><td>mm</td></tr> </table>	d <sub>1</sub> =	mm	d <sub>2</sub> =	mm	F =	mm	L <sub>1</sub> =	mm	L <sub>2</sub> =	mm	L <sub>ges</sub> =	mm	<p>Mitnehmerbolzen als Verschlußbolzen:</p>  <table border="1" style="width:100%; margin-top: 10px;"> <tr><td>b =</td><td>mm</td></tr> <tr><td>d<sub>1</sub> =</td><td>mm</td></tr> <tr><td>d<sub>2</sub> =</td><td>mm</td></tr> <tr><td>F =</td><td>mm</td></tr> <tr><td>L<sub>1</sub> =</td><td>mm</td></tr> <tr><td>L<sub>2</sub> =</td><td>mm</td></tr> <tr><td>L<sub>ges</sub> =</td><td>mm</td></tr> </table>	b =	mm	d <sub>1</sub> =	mm	d <sub>2</sub> =	mm	F =	mm	L <sub>1</sub> =	mm	L <sub>2</sub> =	mm	L <sub>ges</sub> =	mm
d <sub>1</sub> =	mm																										
d <sub>2</sub> =	mm																										
F =	mm																										
L <sub>1</sub> =	mm																										
L <sub>2</sub> =	mm																										
L <sub>ges</sub> =	mm																										
b =	mm																										
d <sub>1</sub> =	mm																										
d <sub>2</sub> =	mm																										
F =	mm																										
L <sub>1</sub> =	mm																										
L <sub>2</sub> =	mm																										
L <sub>ges</sub> =	mm																										

<p>Kopfbolzen:</p>  <table border="1" style="width:100%; margin-top: 10px;"> <tr><td>d<sub>1</sub> =</td><td>mm</td></tr> <tr><td>d<sub>2</sub> =</td><td>mm</td></tr> <tr><td>K =</td><td>mm</td></tr> <tr><td>L<sub>1</sub> =</td><td>mm</td></tr> <tr><td>L<sub>ges</sub> =</td><td>mm</td></tr> </table>	d <sub>1</sub> =	mm	d <sub>2</sub> =	mm	K =	mm	L <sub>1</sub> =	mm	L <sub>ges</sub> =	mm	<p>Kopfbolzen als Verschlußbolzen:</p>  <table border="1" style="width:100%; margin-top: 10px;"> <tr><td>d<sub>1</sub> =</td><td>mm</td></tr> <tr><td>d<sub>2</sub> =</td><td>mm</td></tr> <tr><td>K =</td><td>mm</td></tr> <tr><td>L<sub>1</sub> =</td><td>mm</td></tr> <tr><td>L<sub>ges</sub> =</td><td>mm</td></tr> </table>	d <sub>1</sub> =	mm	d <sub>2</sub> =	mm	K =	mm	L <sub>1</sub> =	mm	L <sub>ges</sub> =	mm
d <sub>1</sub> =	mm																				
d <sub>2</sub> =	mm																				
K =	mm																				
L <sub>1</sub> =	mm																				
L <sub>ges</sub> =	mm																				
d <sub>1</sub> =	mm																				
d <sub>2</sub> =	mm																				
K =	mm																				
L <sub>1</sub> =	mm																				
L <sub>ges</sub> =	mm																				

 <b>ROEDER KETTENTECHNIK</b>	Allgemeintoleranzen DIN ISO 2768 T1 m DIN ISO 2768 T2 K		Maßstab 1:1	(Gewicht)											
	Datei: RUNDTEILE.dcd			<p>Rundteile</p>											
<table border="1" style="width:100%; border-collapse: collapse;"> <tr> <td style="width:10%;"></td> <td style="width:10%;">Datum</td> <td style="width:10%;">Name</td> </tr> <tr> <td>Bearb.</td> <td>06.09.04</td> <td>Heinrichs</td> </tr> <tr> <td>Gepr.</td> <td></td> <td></td> </tr> <tr> <td>Norm</td> <td></td> <td></td> </tr> </table>			Datum			Name	Bearb.	06.09.04	Heinrichs	Gepr.			Norm		
	Datum	Name													
Bearb.	06.09.04	Heinrichs													
Gepr.															
Norm															
<table border="1" style="width:100%; border-collapse: collapse;"> <tr> <td style="width:10%;">Zust.</td> <td style="width:10%;">Änderung</td> <td style="width:10%;">Datum</td> <td style="width:10%;">Name</td> <td style="width:10%;">Urspr.</td> </tr> <tr> <td> </td> <td> </td> <td> </td> <td> </td> <td> </td> </tr> </table>		Zust.	Änderung	Datum	Name	Urspr.						<p>Ers. für: _____</p>		<p>Blatt</p> <p>Blätter</p>	
Zust.	Änderung	Datum	Name	Urspr.											